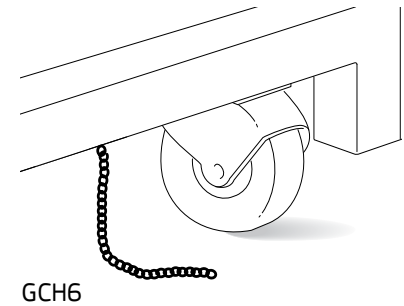
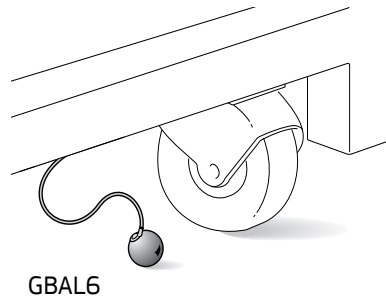
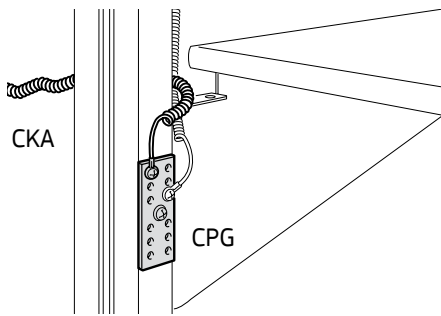


GROUNDING HARDWARE

Grounding Hardware 5.2
Grounding Kits..... 5.3





GROUNDING HARDWARE

Cable Kit Assemblies

- Cable Kit Assemblies provide for frame-to-frame grounding.
- Kits also provide for grounding of dissipative workstation components to the grounding captivators in frames, Plug Strips and Electrical Distributors.
- Assemblies consist of 48" fully extended coil cords with multi-stud ring terminals.

Common Point Grounds

- Common Point Grounds provide multiple grounding points for dissipative components in ESD workstations.
- Nickel plated steel plates attach to grounding points on UltraFrames, ErgoStat® Riser Frames and UltraFrame Spines.
- The ¼" thick plates measure 5" by 1¾".

Ground Balls

- Ground Balls provide grounding for dissipative UltraFrames with Casters to ESD floors.
- Assemblies consist of 1" diameter 10/10 steel back copper, chrome plated balls riveted to 6" nylon coated stainless steel cables with ¼" eyelets.
- Specify one Ground Ball per mobile workstation.

Ground Chains

- Ground Chains provide grounding for dissipative UltraFrames with Casters to ESD floors.
- Assemblies consist of two 6" tangle free chains composed of ¼" diameter stainless steel balls with ¼" eyelets.
- Specify one pair of Ground Chains per mobile workstation.
- All dissipative ErgoStats, Table Bases, WorkTables, Mobile Frames and Tote Frames come equipped with Ground Chains upon ordering.

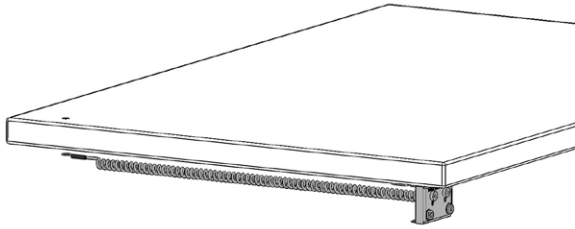
How to Specify

Step 1. Product Number

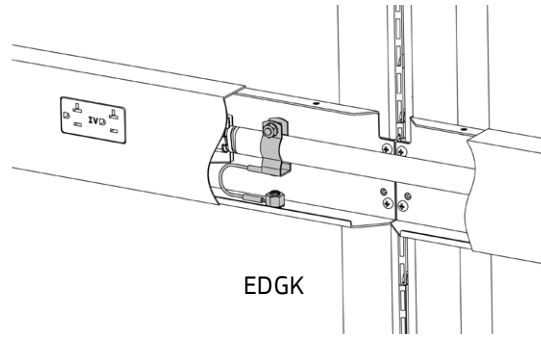
CKA	Cable Kit Assembly
CPG	Common Point Ground
GBAL6	Ground Ball
GCH6	Ground Chain, pair

Product Number	Description	Weight	
		lb.	[kg]
CKA	Cable kit assembly	¼	.12
CPG	Common point ground	¼	.12
GBAL6	Ground ball	¼	.12
GCH6	Ground chain pair	¼	.12

Rev 05/08/12



WGK



EDGK

GROUNDING KITS

Wrist Strap Grounding Kit

- Kits provide grounding for two wrist straps at one common point to ground.
- Attach to the underside of dissipative surface.
- Grounding block has two 4mm banana plug receptacles, and 48" fully extended coil cords with ring terminals.
- Includes two 10mm "parking studs" to prevent damage to wrist strap cord when not in use.
- Surfaces are not predrilled for Wrist Strap Grounding blocks.
- Wrist straps are not provided by Symbiote.
- Front face of WGK measures 2½" by 2".

Electrical Distributor Grounding Kit

- Electrical Distributor Grounding Kit provides a grounding point on the bottom of an Electrical Distributor when used in conjunction with an Electrical Distributor Jumper Cable and Entry Cable.
- Assembly includes a conduit clamp, ¼-20 threaded insert, and required mounting hardware.

NOTES

- » Verify ESD ground path with an electrical tester before connecting components to the ground point.

How to Specify

Step 1. Product Number

WGK	Wrist Strap Grounding Kit
CPG	Electrical Distributor Grounding Kit

Product Number	Description	Weight	
		lb.	[kg]
WGK	Wrist strap grounding kit	¼	.12
EDGK	Electrical distributor grounding kit	¼	.12

Rev 05/08/12